

patent protected

Carcase dimensions

External width	min : 900 mm
Internal depth	min : 480 mm
Internal height	min : 530 mm

Installation measurements

heights:	
WACO 2	530 mm (4 baskets)

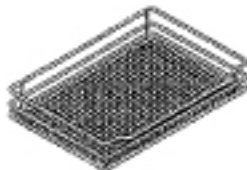
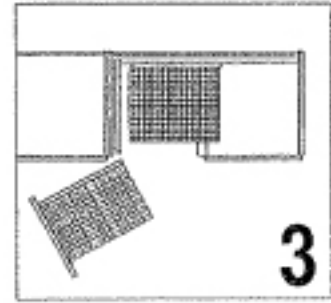
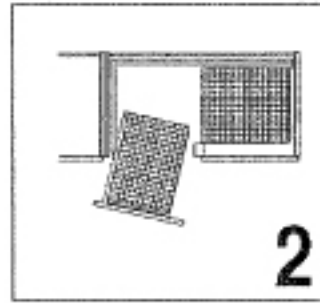
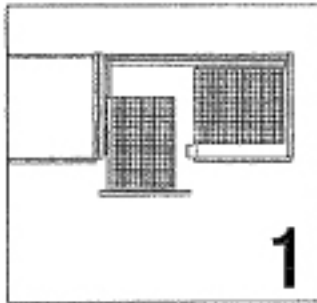
Basket dimensions (Sapphire, opal and gem)

	basket width	basket depth	basket height
Front basket	450	305	75
Cabinet basket	450	370	75

Specifications

Fittings	: full extension
Load capacity	: 35 kg

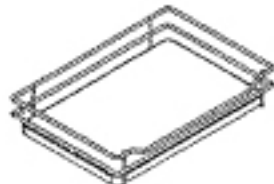
Baskets	: Sapphire, opal and gem railing
	: chrome
	: RAL 9006 silver clear coat
	: RAL 9010 white
	: Light gold



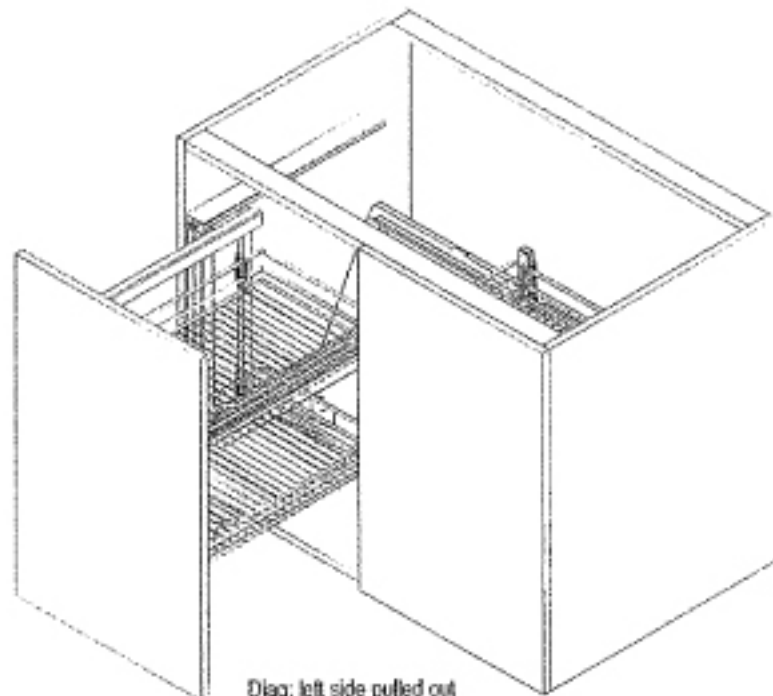
Sapphire basket



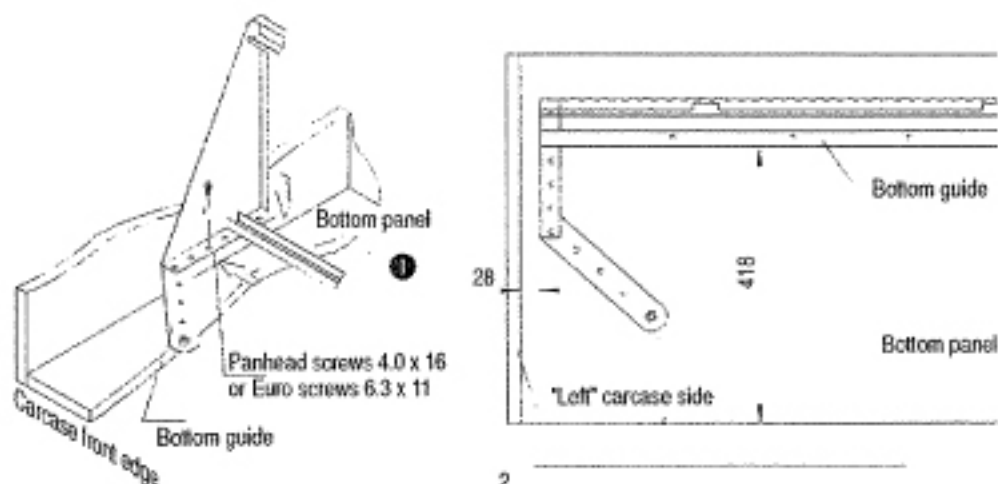
Opal basket



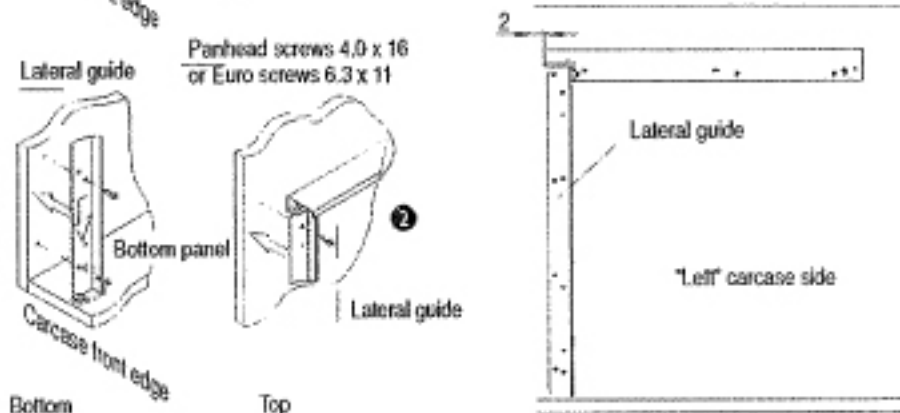
Gem basket



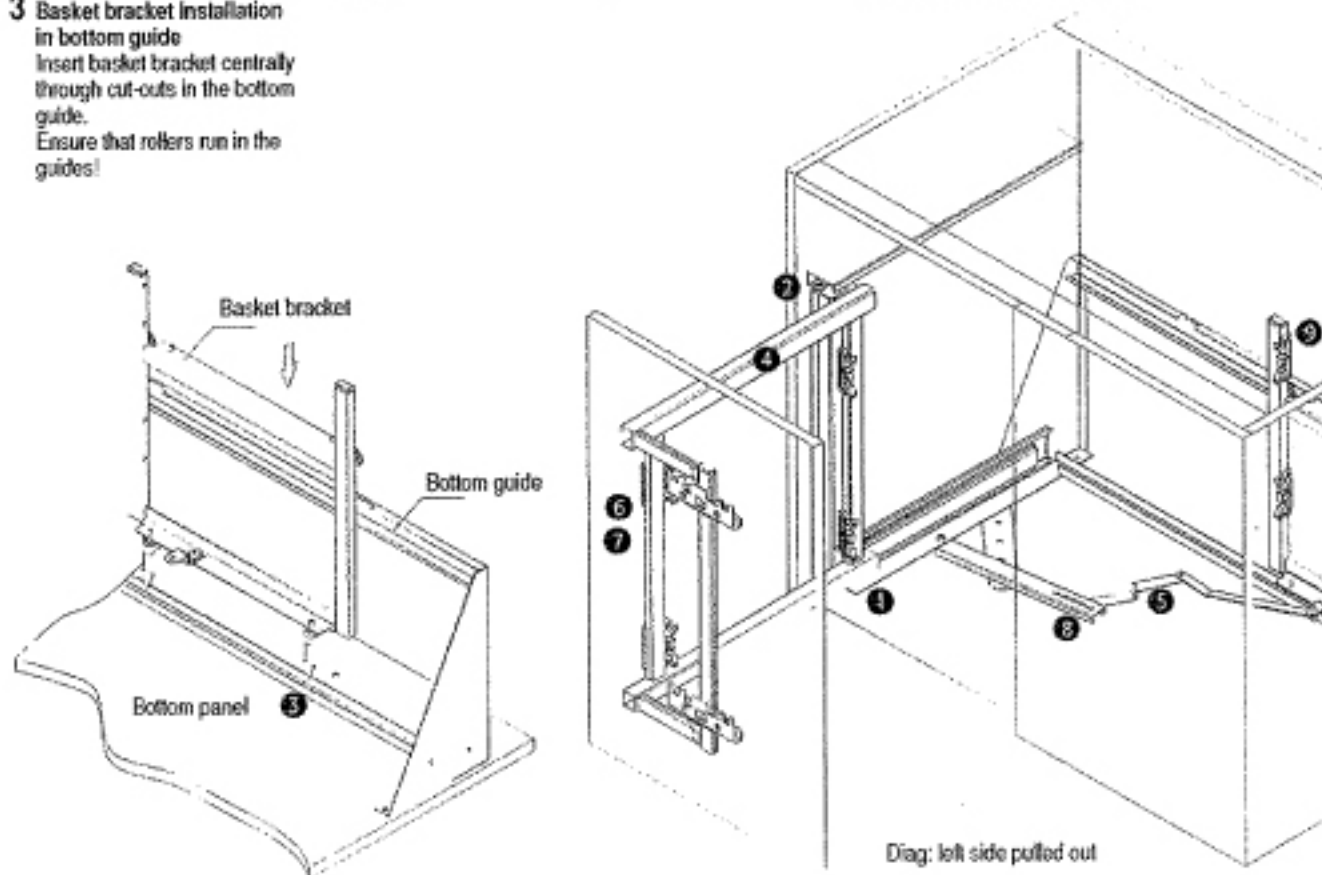
- 1 Bottom guide installation**
Screw bottom guide to bottom panel 418 mm from carcass front edge and 28 mm from left carcass side panel (right with right-hand layout) with 10 screws.
Fastening materials:
Panhead screws 4.0 x 16
or Euro screws 6.3 x 11

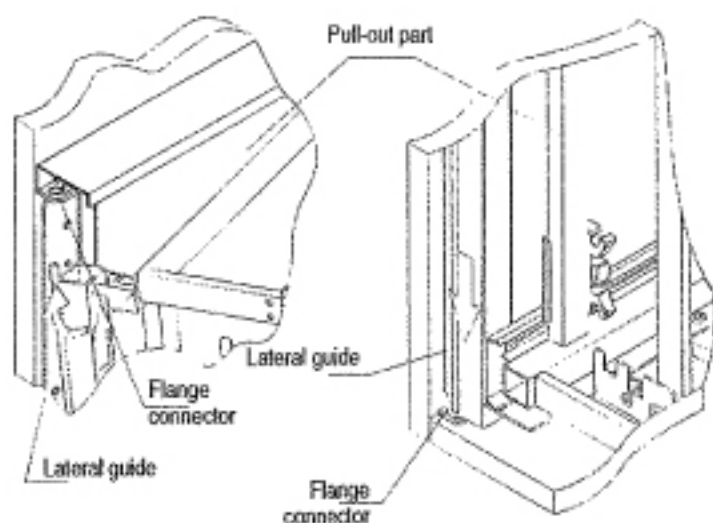
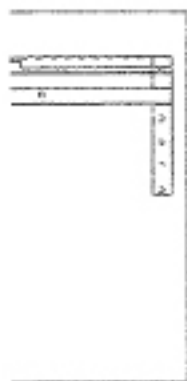


- 2 Lateral guide installation**
Screw lateral guide to carcass side panel 2mm from carcass front edge with 7 screws.
Fixing materials:
Panhead screws 4.0 x 16
or Euro screws 6.3 x 11



- 3 Basket bracket installation in bottom guide**
Insert basket bracket centrally through cut-outs in the bottom guide.
Ensure that rollers run in the guides!



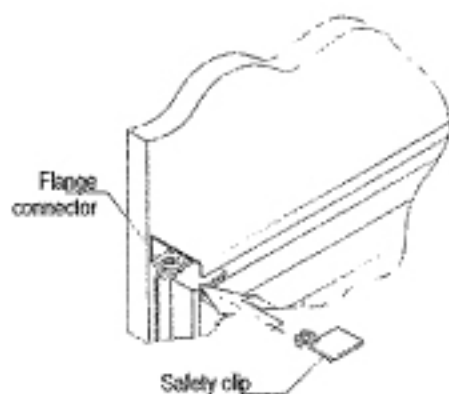


4 Pull-out part installation

Insert the pull-out part at a slight angle into the upper flange connector of the lateral guide, ensuring that the rear guide roller runs in the guide. Now straighten the pull-out part and push into the lower flange connector of the lateral guide. To secure, press in the cover cap with integrated safety clip under the flange connector.

Fixing materials:
Flange connectors
Cover caps with safety clip

3



5 Scissor hinge installation

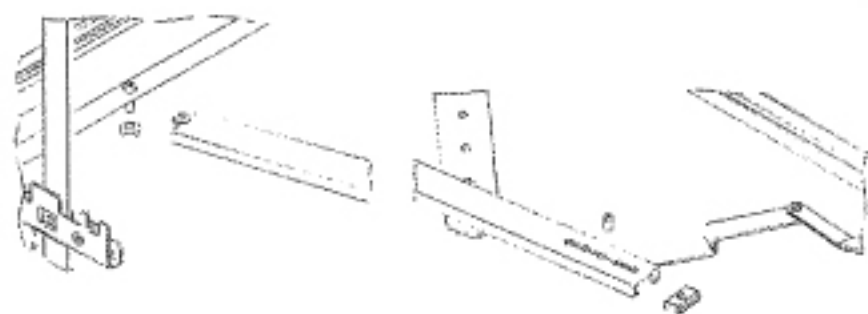
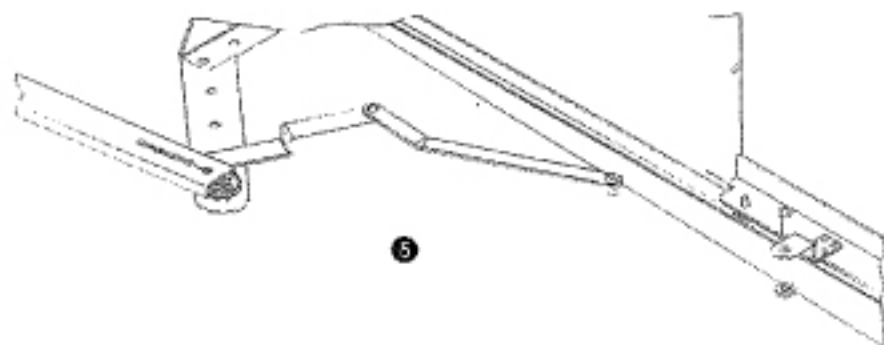
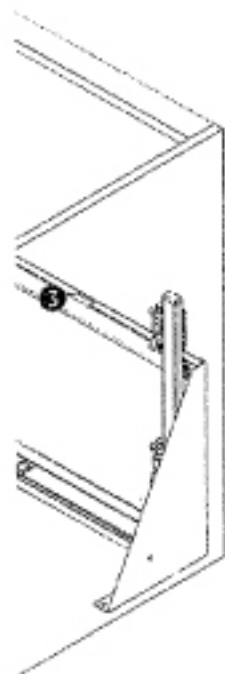
Push the scissor hinges onto the guide rollers and screw to basket bracket and pull-out part with screws provided.

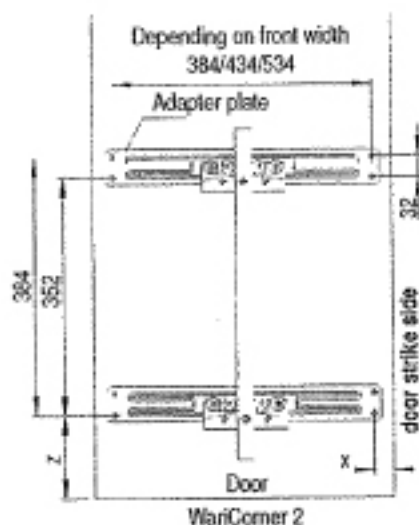
Fixing materials:
Bearing bushes
Panhead threaded screws
M5 x 12

Important for opening restriction:

Subsequently, insert the plastic part in the scissor hinge and screw in with the Euro screws supplied.

Fixing materials:
Plastic part
Euro screws 6.3 x 11





WariCorner 2

X = 18mm + door overlap
Z = 96mm + door overlap

6



6 Door installation

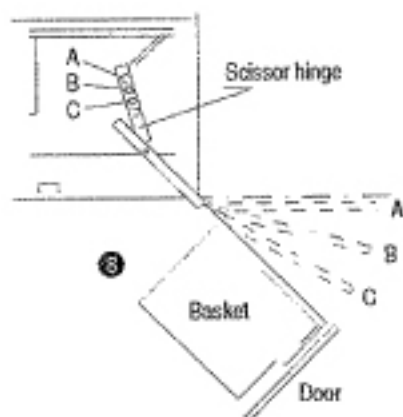
Drill and screw adapter plate onto door as shown on adjacent diagram.
Fixing materials:
Panhead screws 4.0 x 16
or Euro screws 6.3 x 11

7 Door adjustment

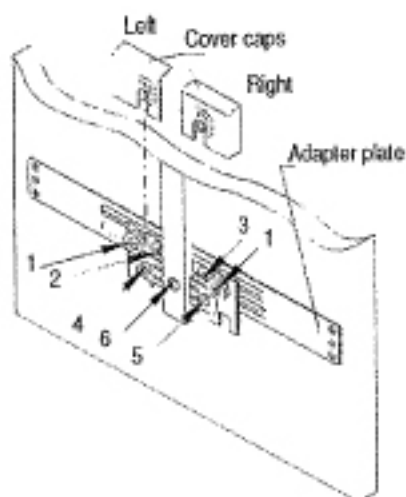
Loosen fixing screws (1).
Adjust eccentric (2) by turning left or right. Move front horizontally. Move front upwards or downwards by turning eccentric (3). Central adapter panel on WariCorner 4 without eccentric. The angle can be adjusted with screws (4 and 5).
Set vertical angle of the front with screw (6).

Finally:

Cover caps are not supplied with the item and must be ordered separately.



8



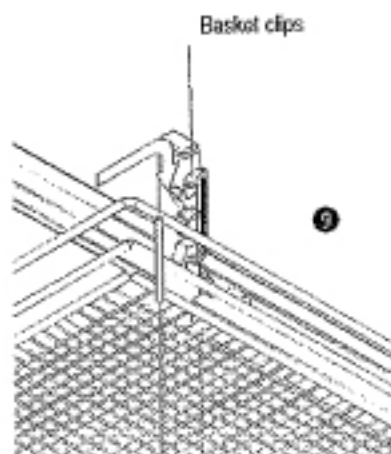
8 Setting door opening angle

The opening angle of the door is set by loosening screw A. Now move plastic part to B or C and re-tighten.

9 Mounting the baskets

Fix the larger baskets to the basket bracket with the basket clips.

Fix the smaller baskets to the pull-out part with the basket clips.



9

